

Drawn by	Fredsdijplans	1 of 2
Double bed type C		A3

More than 5.000 Building Plans & Projects!

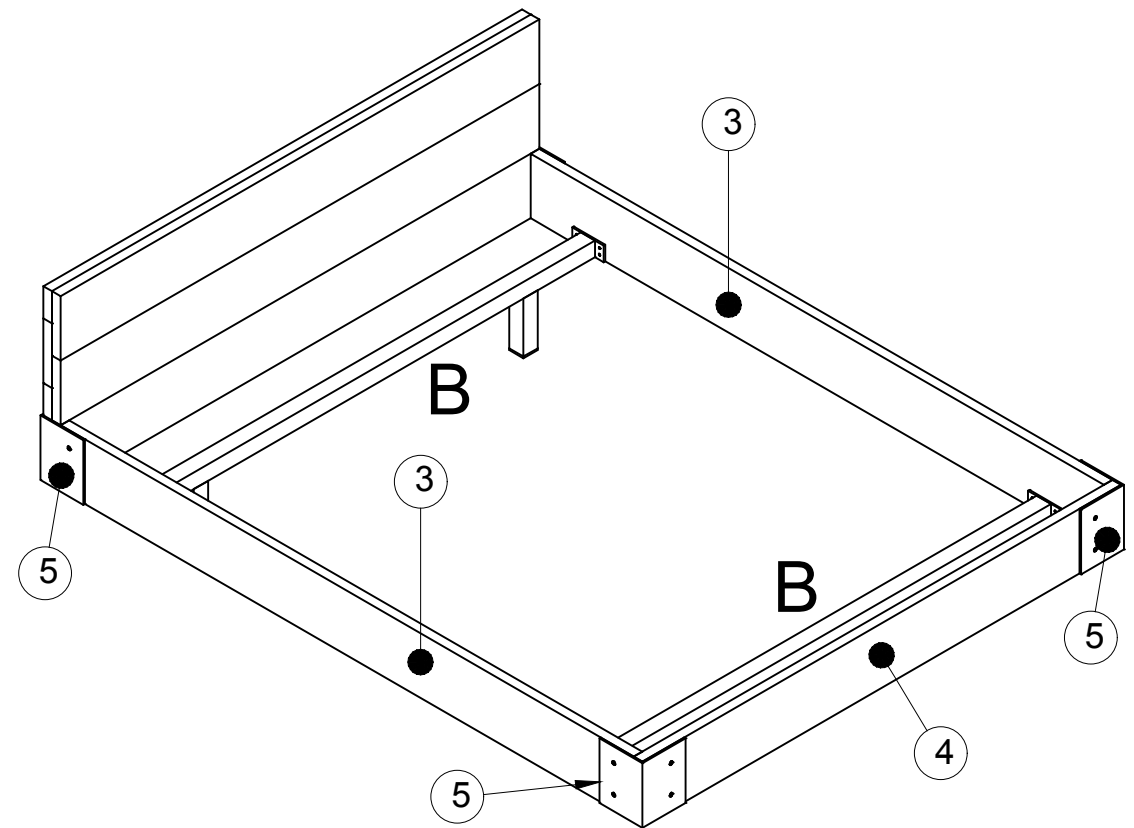
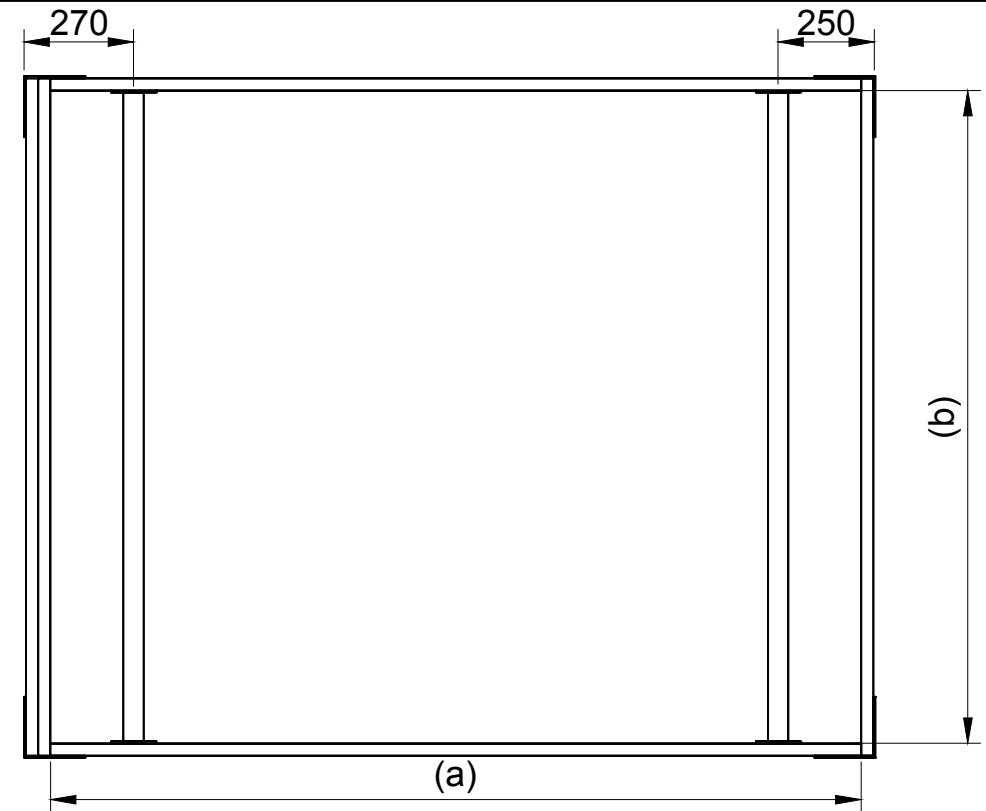


**FRED'S
DIY PLANS**
The biggest collection of building drawings and DIY-projects

*Sheds
Children's rooms
(Garden) Furniture
Toys
Boxes
and much more....*

Do it yourself from now on!

Download your package right now!



Dimensions		Article	Number of	Material	Thickness	Width	Length
Width	Length	1	5	Douglas	30	200	1870
1800	2000	2	2	Douglas	30	100	1870
Size	Length	3	2	Douglas	30	200	2010
(a)	2010	4	1	Douglas	30	200	1870
(b)	1810	5	4	steel Angle	5	150	200
		6	2	Box Section	5	50	1810
		7	4	Box Section	5	50	175
		8	4	Steel	5	50	50
		9	4	Steel	5	50	110
Stainless steel screws 5x50 (advance holes drilling)							
Coach Bolt M10							

Drawn by	Fredsdijplans	2 of 2
Double bed type C		A3