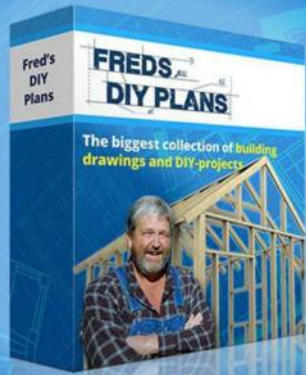


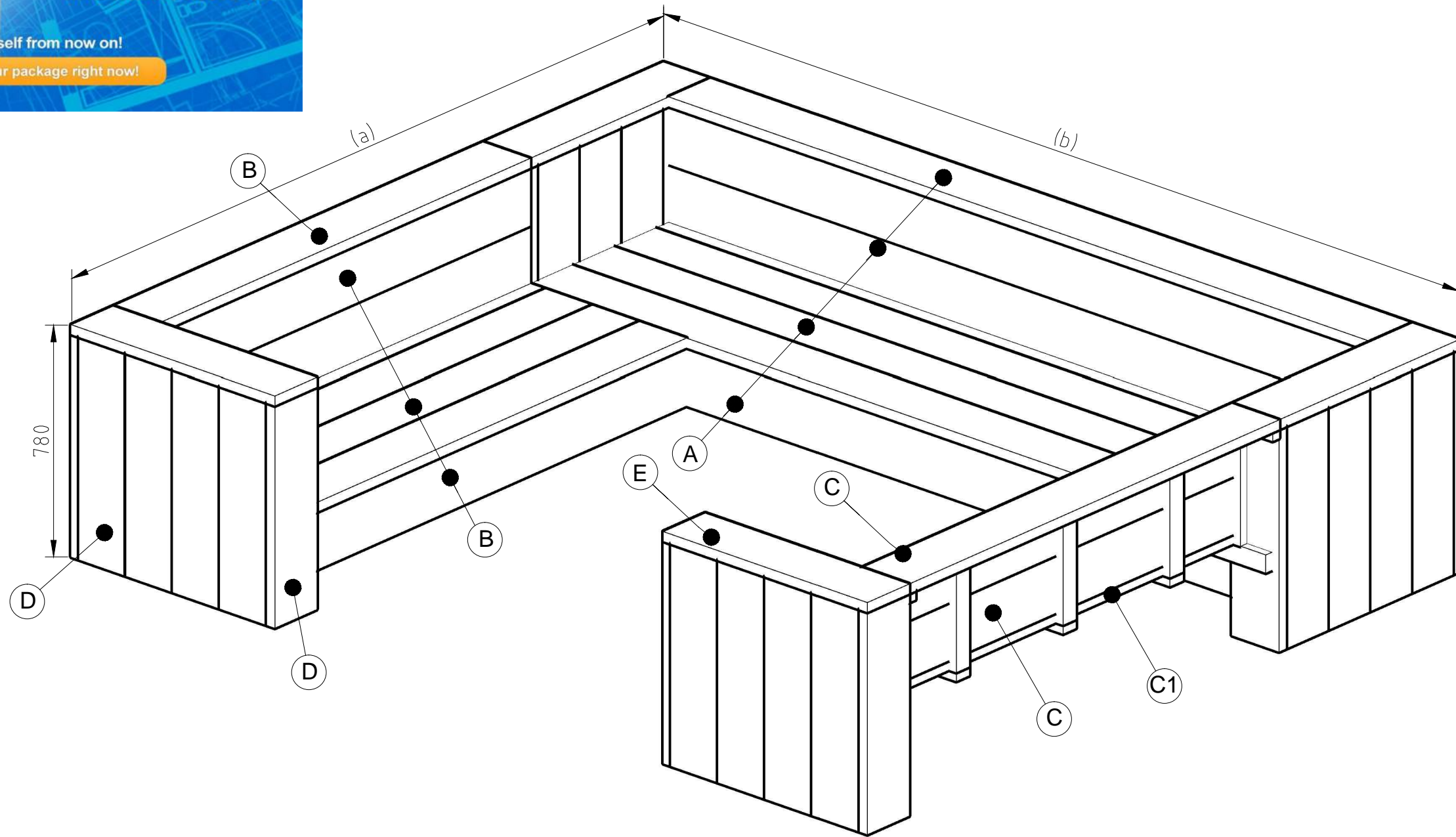
More than 5.000 Building Plans & Projects!



Sheds
Children's rooms
(Garden) Furniture
Toys
Boxes
and much more....

Do it yourself from now on!

Download your package right now!

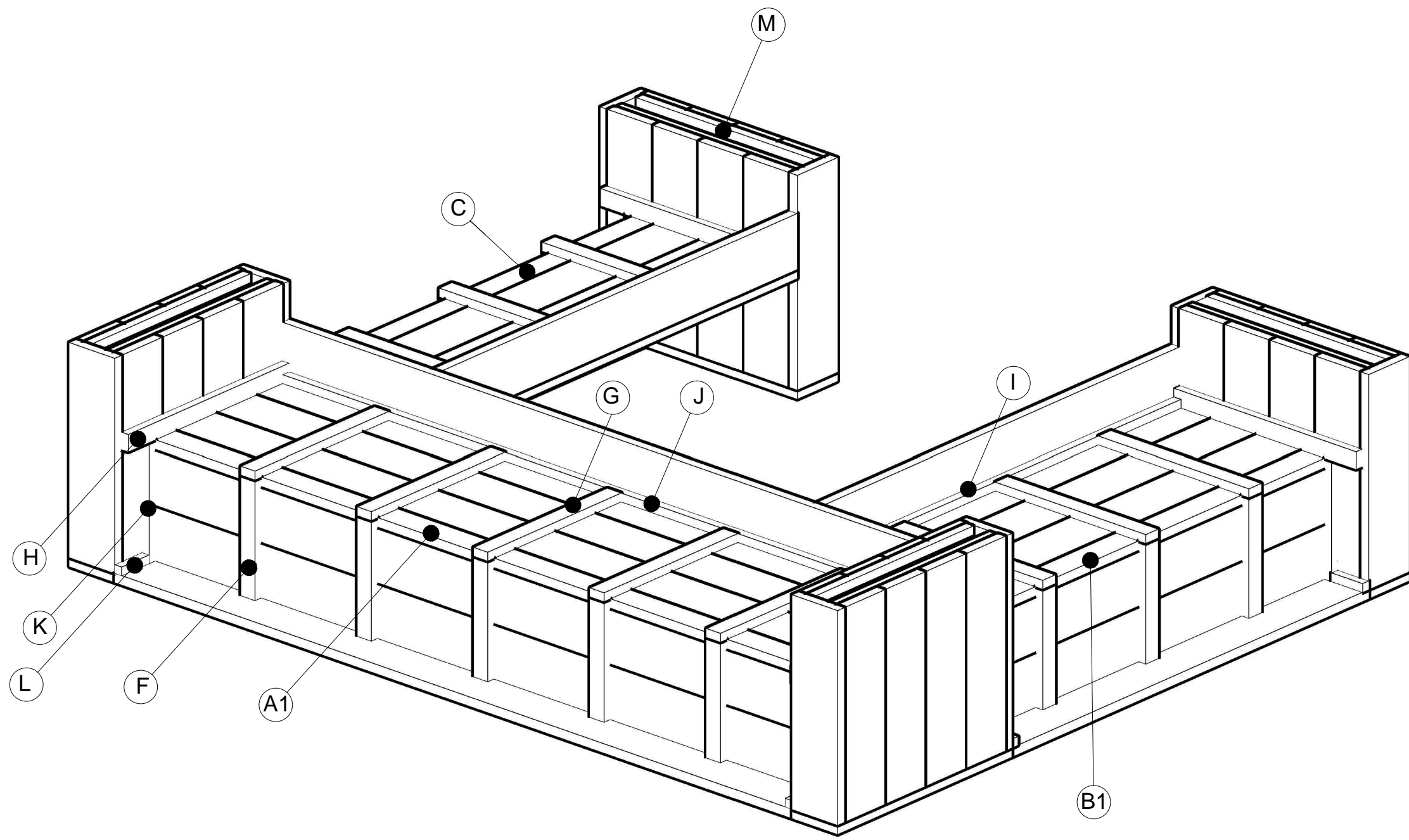


Drawn by Fredsdiyplans

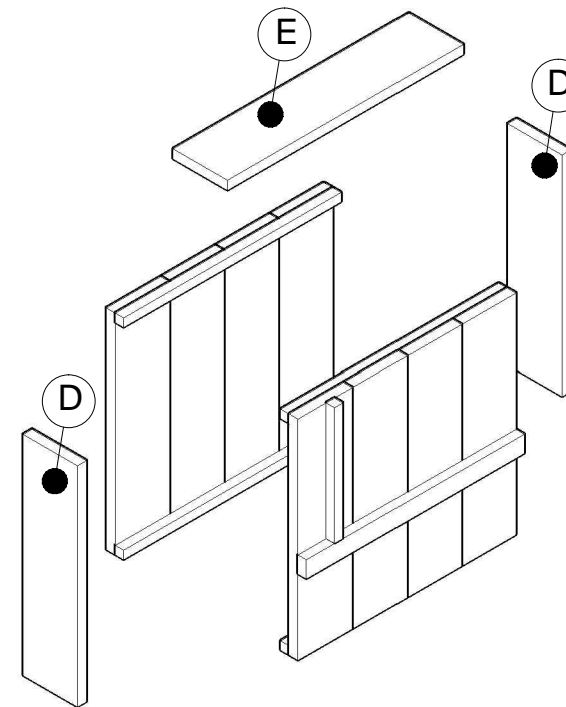
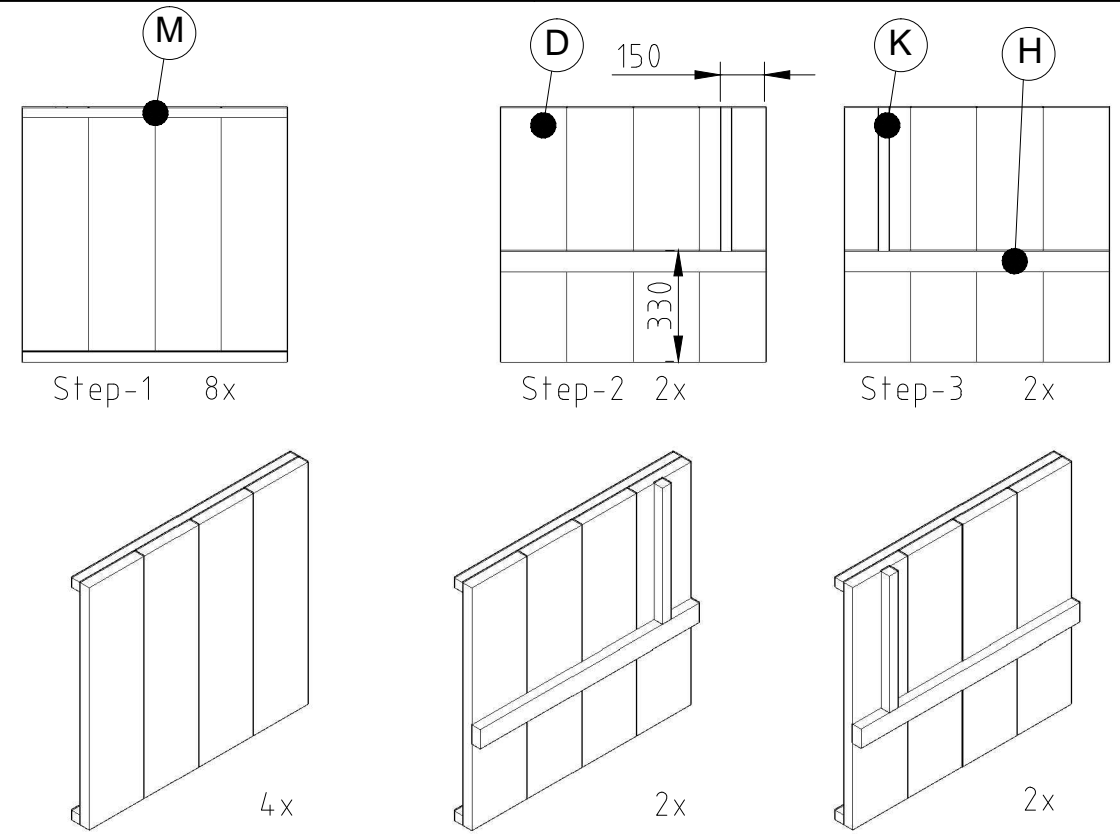
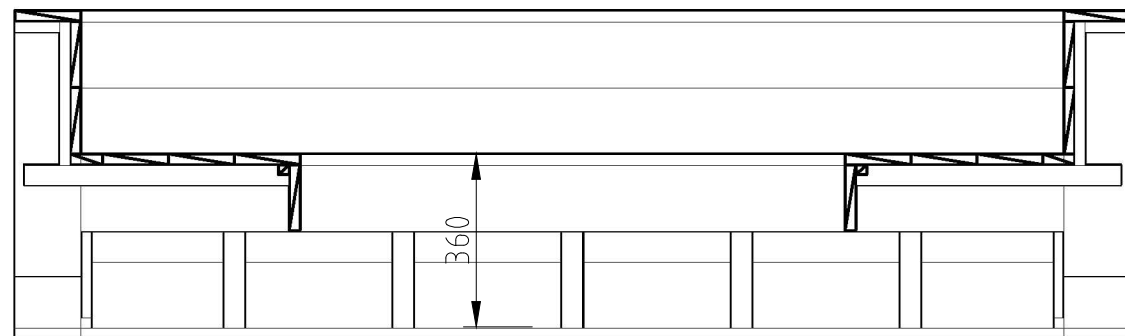
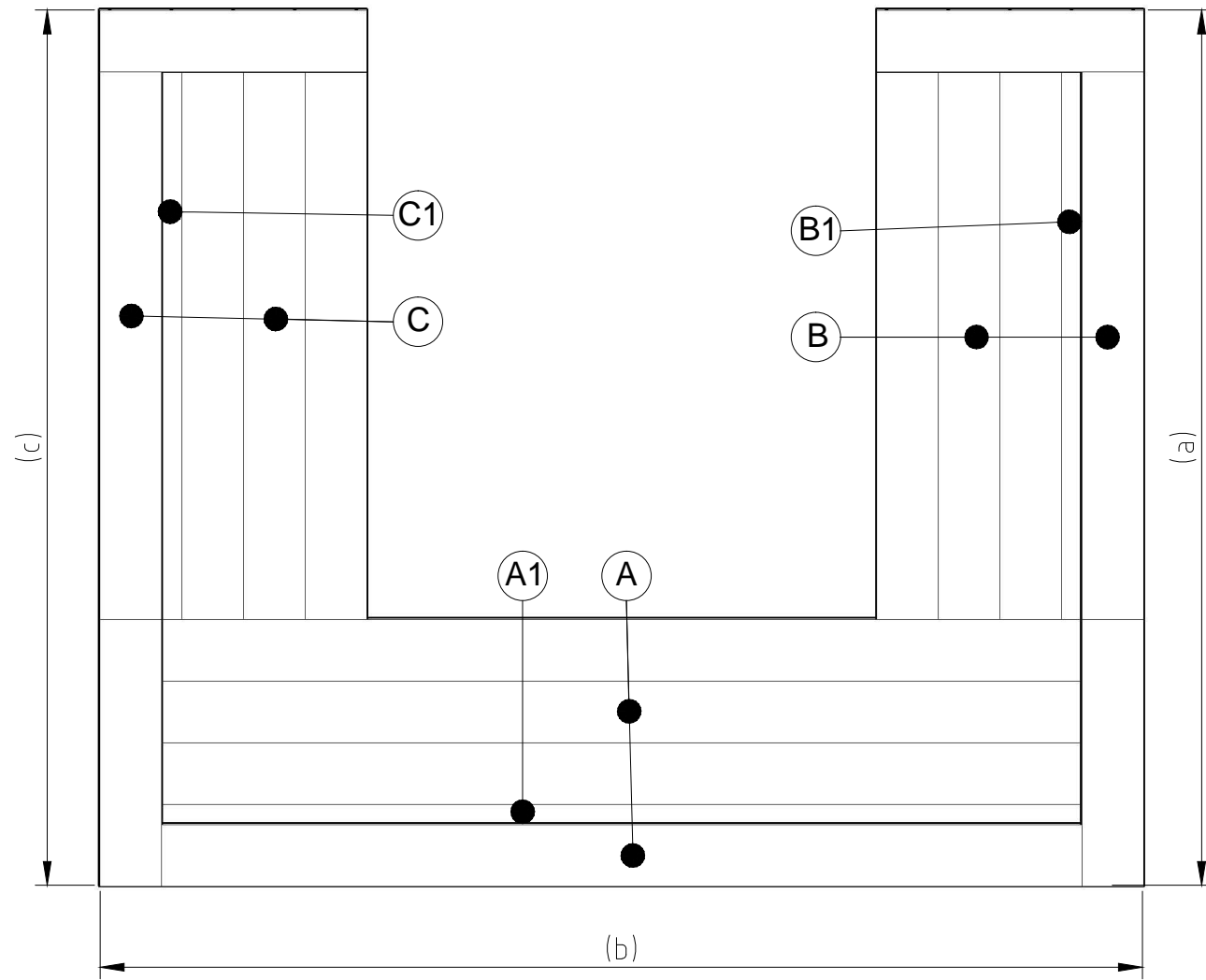
1 of 4

U shaped wooden bench

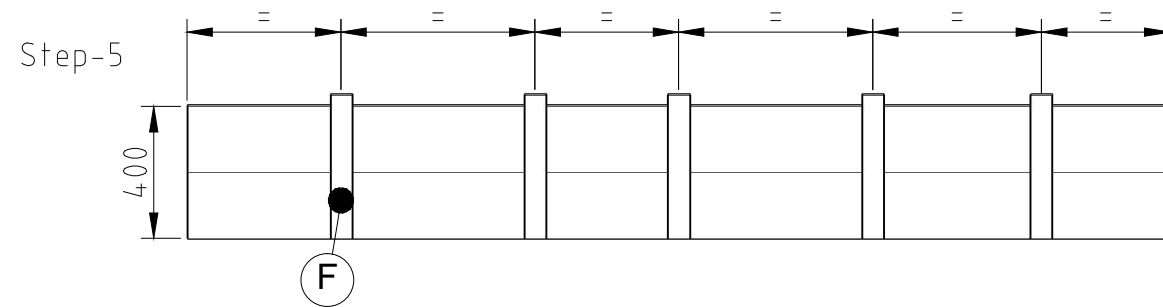
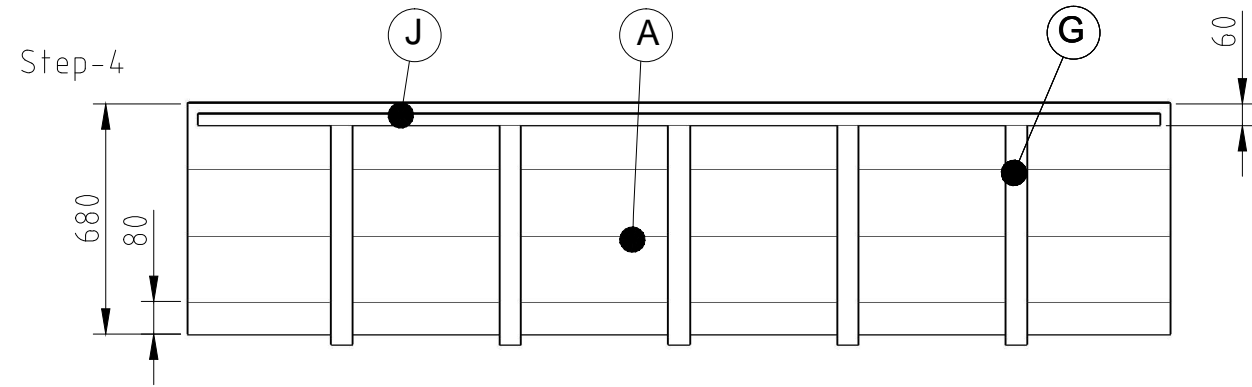
A3



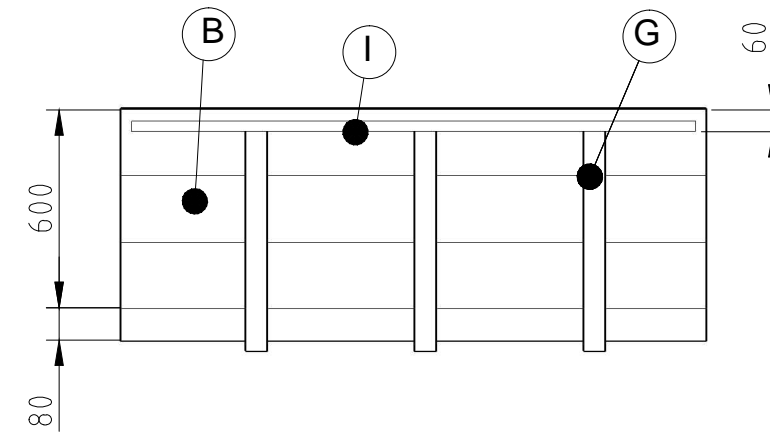
Drawn by	Fredsdijplans	2 of 4
U shaped wooden bench		A3



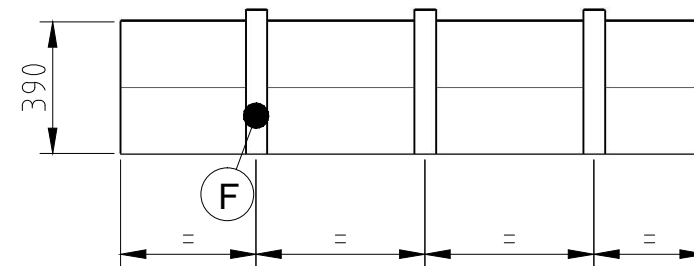
Drawn by	Fredsdijplans	3 of 4
U shaped wooden bench		A3



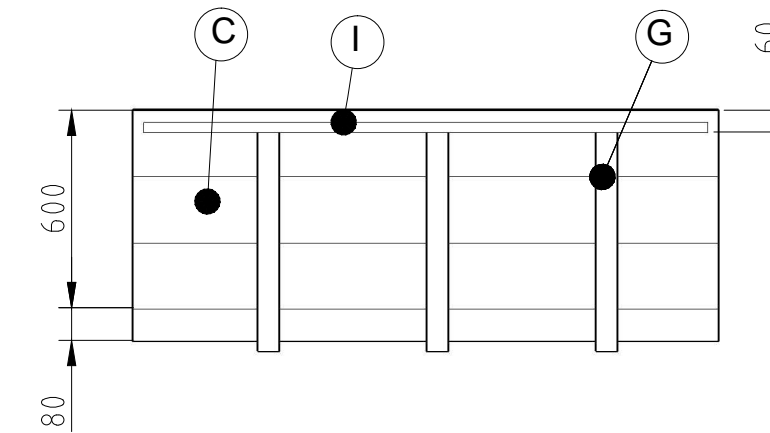
Step-6



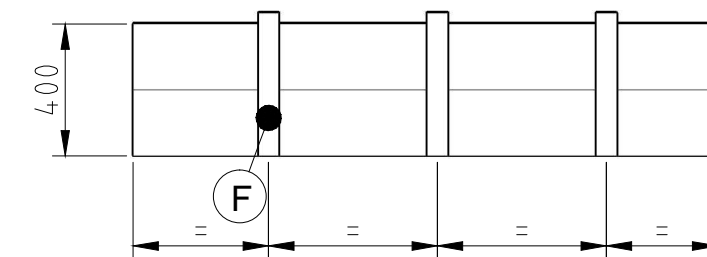
Step-7



Step-8



Step-9



Length 1	2800	Article	Number of	Material	Thickness	Width	Length
Length 2	3000	A	7	Spruce wood	30	200	2600
Length 3	2800	A1	1	Spruce wood	30	80	2600
Size	Length	B	7	Spruce wood	30	200	1740
(a)	2800	B1	1	Spruce wood	30	80	1740
(b)	3000	C	7	Spruce wood	30	200	1740
(c)	2800	C1	1	Spruce wood	30	80	1740
		D	40	Spruce wood	30	200	760
		E	4	Spruce wood	30	200	860
		F	11	Spruce wood	30	60	430
		G	11	Spruce wood	30	60	620
		H	6	Spruce wood	30	60	800
		I1	1	Spruce wood	30	30	1680
		I2	1	Spruce wood	30	30	1680
		J	1	Spruce wood	30	30	2540
		K	6	Spruce wood	30	30	430
		L	6	Spruce wood	30	30	140
		M	16	Spruce wood	30	30	800
Stainless steel screws 5x50 (advance holes drilling)							

Drawn by	Fredsdiyplans	4 of 4
U shaped wooden bench		A3